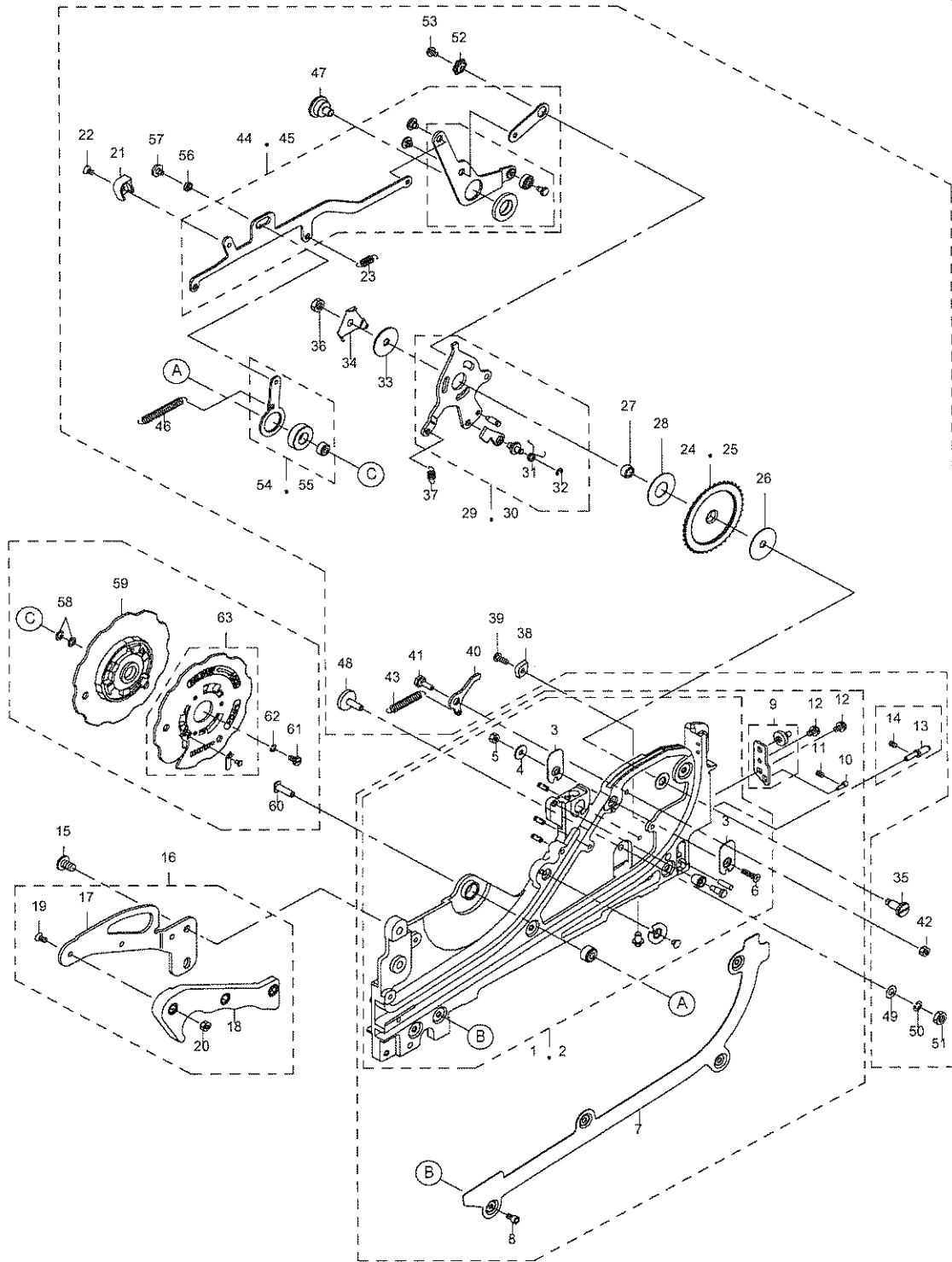


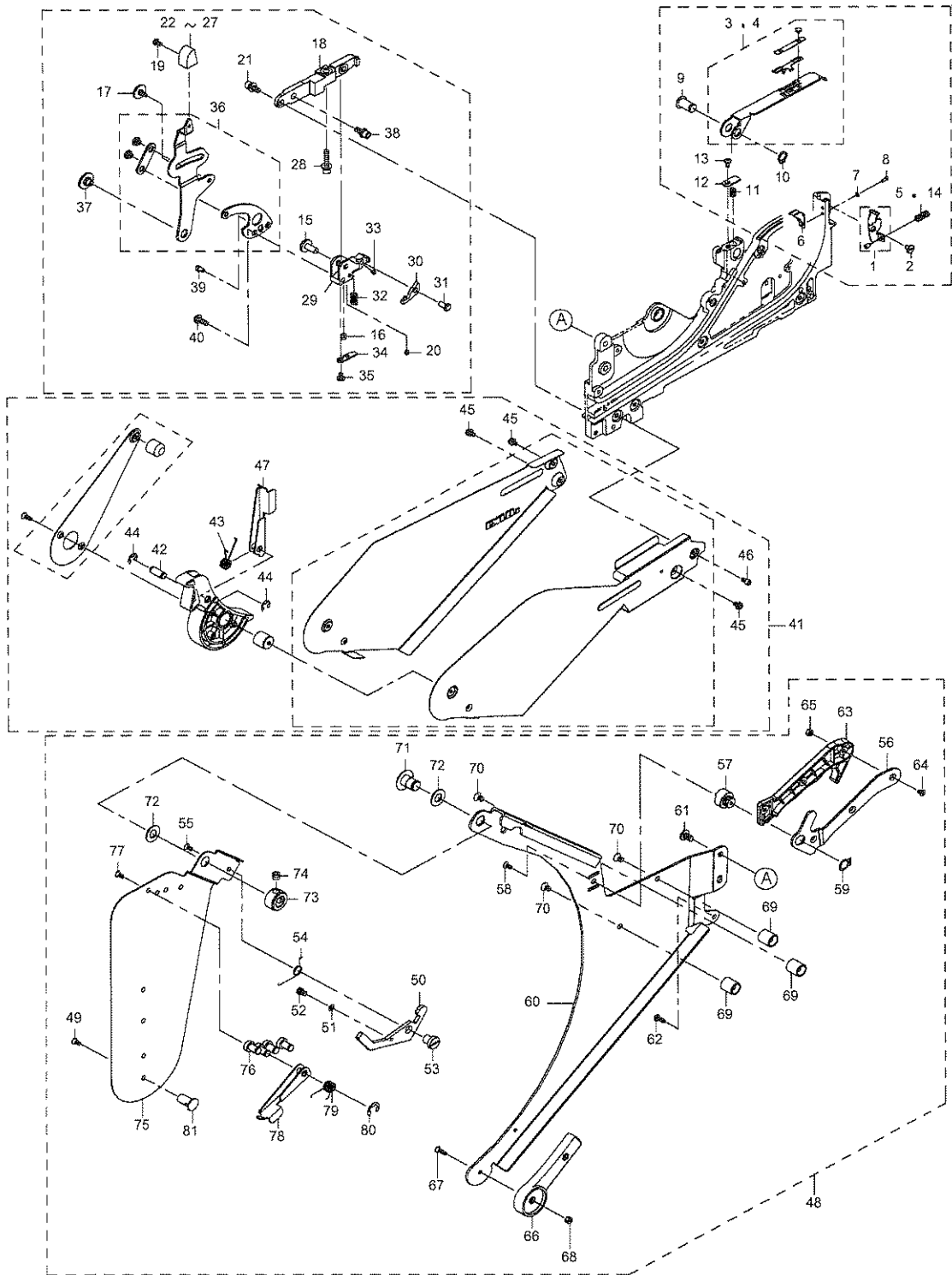
1. CTFR (1)



CTFR
1. CTFR (1)

NOTE	REF. No.	PART NO	DESCRIPTION	Qty
#01	1	40081775	FEEDER BASE P ASM	1
#02	2	40081786	FEEDER BASE E ASM	1
	3	40081780	TAPE_GUIDE_B	2
	4	WP0330816SF	WASHER 3.25X10X0.8	1
	5	NM6030001SC	NUT M3X0.5 TYPE1	1
	6	SM1031201SC	SCREW M3X0.5 L=12	1
	7	40081776	GUIDE COVER	1
	8	40123347	SCREW	4
	9	40081777	X AXIS ADJUST BR ASM	1
	10	E1006706C00	X-AXIS ADJUSTING SHAFT	1
	11	SM8030402TP	SCREW M3X0.5 L=4	1
	12	SL4030891SC	SCREW M3X8	2
	13	E1002706000	X-AXIS POSITIONIG PIN B	1
	14	SM8030402TP	SCREW M3X0.5 L=4	1
	15	SM0050801SC	SCREW	2
#03	16	40081789	ADAPTER PLATE ASSY	1
	17	40081790	ADAPTER PLATE	1
	18	E6013706R00	GRIP PLATE	1
	19	40052050	SCREW M3X6 MEC	3
	20	NM6030003SC	NUT M3	3
	21	E1119706C00	FREE LINK CAP	1
	22	SM1030501SC	SCREW M3 L=5	1
	23	40081809	RETURN SP	1
#04	24	40081792	FEED WHEEL 2MM	1
#05	25	40081824	FEED WHEEL 4MM	1
	26	40081793	WHEEL BUSH SPACER 03	1
	27	40081794	WHEEL COLLAR	1
	28	40081795	WHEEL RING 03	1
#04	29	40081796	SWING PLATE 2MM ASM	1
#05	30	40081825	SWING PLATE 4MM ASM	1
	31	40081815	RATCHET HOOK SP	1
	32	RE0200000K0	E-RING	1
	33	40081797	SWING PLATE WASHER 03	1
	34	E1130706C00	WHEEL PLATE 03	1
	35	40081907	WHEEL SHAFT	1
	36	NM6040003SC	NUT M4	1
	37	40081798	SWING PLATE SP	1
	38	40081799	RATCHET HOOK STOPPER	1
	39	SL5030831SF	SCREW M3 L=8	1
	40	40081800	STOPPER CLICK	1
	41	40081801	STOPPER CLICK SHAFT	1
	42	NM6030001SC	NUT M3	1
	43	40081802	STOPPER SP	1
#04	44	40081803	KNOCK LEVER LINK 2MM ASM	1
#05	45	40081826	KNOCK LEVER LINK 4MM ASM	1
	46	40081810	REWIND SP	1
	47	E1116706C00	KNOCK LEVER SHAFT	1
	48	40081804	STOPPER	1
	49	WP0430801SC	WASHER 4.3X9X0.8	1
	50	WS0410002KN	SPRING WASHER	1
	51	NM6040001SC	NUT M4	1
	52	40081805	R H ADJUST ECCENTRIC COLLAR	1
	53	40081806	SCREW M3X4 MEC	1
#04	54	40081807	SHAKE ARM 2MM ASM	1
#05	55	40081827	SHAKE ARM 4MM ASM	1
	56	40081808	FREE LINK JOINT COLLAR	1
	57	E1120706C00	FREE LINK JOINT SCREW	1
	58	40081852	POLYSLIDER	2
	59	40081848	HOLDER PLATE ASM	1
	60	40081849	HOLDER SH	1
	61	40081850	HOLDER PLATE FIX SCREW	1
	62	WS0310002KN	SPRING WASHER M3	1
	63	40081851	TAPE HOLDER ASM	1

2. CTFR (2)



CTFR
2. CTFR (2)

NOTE	REF. No.	PART NO	DESCRIPTION	Qty
	1	40081910	UP CV HOOK ASM	1
	2	40081838	UP CV HOOK SH	1
#01	3	40081833	UP CV 03 05 ASM	1
#02	4	40081845	UP CV 08 ASM	1
#10	5	40081839	UP CV HOOK SP	1
	6	40081840	TAPE GUIDE PLATE	1
	7	WP0220300SC	WASHER	4
	8	40081908	SCREW	2
	9	40081834	UP CV SH	1
	10	RC0740811KP	C-RING	1
	11	40081835	UP CV FLOATING SP	1
	12	40081836	SP HOLD PLATE	1
	13	SM0030601SC	SCREW M3X0.5 L=6	1
#11	14	40139041	UP CV HOOK SP	1
	15	E1502706C00	LOCK HOLDER SH	1
	16	SM8040402TP	SCREW M4X0.7 L=4	1
	17	E1524706C00	STEP SCREW	1
	18	40108588	LOCK HOLDER_BLOCK_V	1
	19	SM5030555SC	SCREW	1
	20	SM8030302TP	SCREW M3X0.5 L=3	1
	21	SL6041092TN	SCREW	1
#03	22	E150770600A	LEVER CAP 03	1
#04	23	E150770600B	LEVER CAP 05	1
#05	24	E150770600C	LEVER CAP 08	1
#06	25	E1507706C0D	LEVER CAP 081P	1
#07	26	E1507706C0E	LEVER CAP 08HE	1
#08	27	E1507706C0F	LEVER CAP 081C	1
	28	SL6042092TN	SCREW M4 L=20	1
	29	E1507706C00	LOCK HOLDER	1
	30	E1508706C00	PLUNGER PLATE	1
	31	E1509706C00	PLUNGER SH	1
	32	E1510706C00	PLUNGER SP	1
	33	SM8030302TP	SCREW M3X0.5 L=3	1
	34	E1511706C00	STOPPER PLATE	1
	35	40055254	SCREW M3X5 MEC	2
	36	40081909	LOCK HOLDER LINK ASM	1
	37	E1523706C00	LEVER STUD	1
	38	SL6041092TN	SCREW	1
	39	40063935	ECCENTRIC PIN	1
	40	A1138776000	SCREW	2
	41	40081862	REEL SUPPORT ASSY	1
	42	E1615706C00	REEL BRAKE SH	1
	43	E1614706C00	REEL BRAKE SP	1
	44	RE0500000K0	E-RING	2
	45	SL4030691SC	SCREW M3X6	3
	46	SM6030552KS	SCREW	1
	47	40121048	REEL_BRAKE	1
#09	48	40108359	REEL SUPPORT BASE ASSY	1
	49	SM1030601SN	SCREW M3X0.5 L=6	1
	50	E2609706C00	REEL SUPPORT HOOK	1
	51	WP0320501SC	WASHER M3	1
	52	E6386705000	SCREW	1
	53	40081874	REEL SUPPORT HOOK SH	1
	54	40081875	REEL BRAKE SP	1
	55	SM1030601SN	SCREW M3X0.5 L=6	1
	56	40108361	ADAPTER PLATE 8L	1
	57	40108362	ADAPTER PLATE SH	1
	58	40052049	SCREW M4X6 MEC	1
	59	RC0100001KP	SNAP RING M10	1
	60	40108360	REEL SUPPORT BASE	1
	61	SM0050801SC	SCREW	2
	62	SM5030801SC	SCREW M3X0.5 L=8	1
	63	E6013706R00	GRIP PLATE	1
	64	40052050	SCREW M3X6 MEC	3
	65	NM6030003SC	NUT M3	3
	66	40081871	SUPPORT GUIDE	1
	67	SM1031001SN	SCREW M3X0.5 L=10	2

CTFR
2. CTFR (2)

NOTE	REF. No.	PART NO	DESCRIPTION	Qty
	68	NM6030001SC	NUT M3	2
	69	E2605706C00	ADAPTER PLATE JOINT SH	3
	70	SM1040601SN	SCREW	3
	71	40081872	REEL SUPPORT SH	1
	72	E3855760000	THRUST WASHER A	2
	73	E3614706A00	REEL SUPPORT SH COLLER	1
	74	SM8060502TP	SCREW M6 L=5	2
	75	40081873	REEL SUPPORT ARM	1
	76	E2608706C00	REEL BRAKE SH	4
	77	SM1030601SN	SCREW M3X0.5 L=6	4
	78	E1613706C00	REEL BRAKE	1
	79	E1614706C00	REEL BRAKE SP	1
	80	RE0500000K0	E-RING	1
	81	E2607706C00	REEL SH	1